



**Data Sheet**



Product Category: Ceramic Resonator

Series Number	Package	Description	Last Modified
620 ~ 623	ZTT Ceramic	Low Profile	Jan. 01 2007

**FEATURES**

- Low profile ceramic resonator
- Wide frequency range
- Extended temperature range
- High stability
- Built in load capacitance
- RoHS Compliant

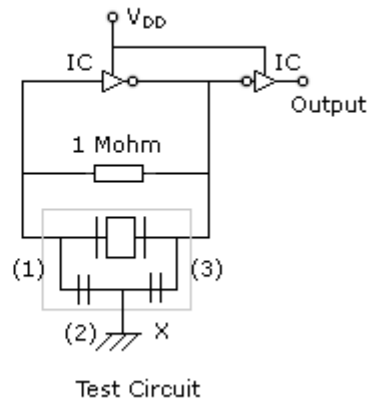
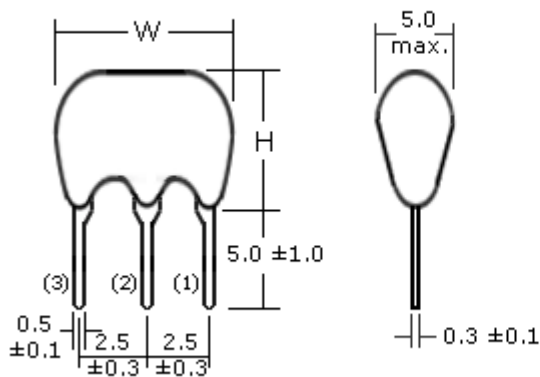


**OPERATING CONDITIONS / ELECTRICAL CHARACTERISTICS**

Series No.	Type	Frequency Range	Frequency Accuracy	Operating Temperature	Stability in Temperature	Aging for Ten Years	C1	C2
		(MHz)	@25°	°C	(-20 ~ +80°C)	-	(pF)	(pF)
620	ZTT-MG	1.79 ~ 6.00	±0.5%	-20 ~ 80	±0.3%	±0.3%	30	30
621	ZTT-MT	6.00 ~ 13.00			±0.3%	±0.3%	30	30
622	ZTT-MX	12.00 ~ 20.00			±0.3%	±0.3%	30	30
		20.01 ~ 25.99			±0.3%	±0.3%	15	15
		26.00 ~ 60.00			±0.3%	±0.3%	5	5
623	ZTT-MGL	3.00 ~ 8.00	±0.3%	±0.3%	30	30		

\* Other C1 / C2 values available

**PACKAGE DIMENSIONS (mm)**



- (1) Input
- (2) Ground
- (3) Output

IC (MG,MT) : 1/6TC4069UBPx2  
 IC (MX) : 1/6TC74HCU04x2  
 VDD : +5V

Series No.	Type	Frequency (MHz)	Dimensions (max.)	
			W	H
620	ZTT-MG	1.79 ~ 6.00	10.0	8.0
621	ZTT-MT	6.01 ~ 13.00	10.0	10.0
		12.00 ~ 13.00	10.0	12.0

<b>622</b>	ZTT-MX	13.01 ~ 60.00	10.0	10.0
<b>623</b>	ZTT-MGL	3.00 ~ 8.00	9.0	5.5

## PART NUMBER GUIDE

Part Number	Frequency	Load Capacitance	Frequency Accuracy ( % )	Operating Temp ( °C )	Packaging**
<b>622</b>	<b>- 20.0M</b>	<b>- 33</b>	<b>- 03</b>	<b>W</b>	<b>- TR</b>
620 to 623 (see table above)	e.g. -12.1M = 12.10 MHz Range = 1.79 ~ 60.0 MHz	Blank* = Standard as shown in above Table Custom = Enter desired value e.g. -33 = 33pF	Blank* = ±0.5% -03 = ±0.3%	Blank* = -20 ~ +80 -N = -40 ~ +85 -W = -40 ~ +125	Blank* = Bulk -TT = Ammo Pack (Qty = 2K)

**NOTE:** Deviations on all parameters available. Please consult Oscilent for details.

**DEFINITIONS:** Click on the characteristic names above, for definitions of the particular characteristic.

**\*STANDARDS:** "Blank" part number selections, indicate standard variables for the particular characteristic.

**\*\*PACKAGING:** Click on the packaging name above for Ammo Pack specifications

**Oscilent Corporation** - CALL **949.252.0522**

**Series No.:** [620 to 623](#)

18195 East McDermott Street . Building D . Irvine . CA 92614 . USA

Fax: 949.252.0599 . E-Mail: [Sales@Oscilent.com](mailto:Sales@Oscilent.com)