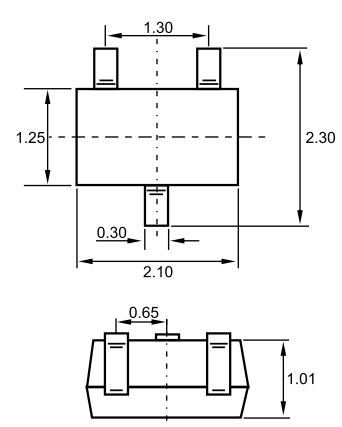




SOT-323



Dimensions in inches and (millimeters)

Features

- ✧ Small total capacitance.
- ✧ Power dissipation. ($P_D=150\text{mW}$)

Applications

- ✧ For general purpose applications.

Ordering Information

Type No.	Marking	Package Code
RB461F	3B	SOT-323

MAXIMUM RATING @ $T_a=25^\circ\text{C}$ unless otherwise specified

Parameter	Symbol	Limits	Unit
Diode reverse voltage	V_R	20	V
Forward continuous Current	I_F	700	mA
Power Dissipation	P_d	150	mW
Junction temperature	T_j	150	$^\circ\text{C}$
Storage temperature range	T_{stg}	-55-+150	$^\circ\text{C}$

ELECTRICAL CHARACTERISTICS @ $T_a=25^\circ\text{C}$ unless otherwise specified

Parameter	Symbol	Test conditions	MIN	Typ.	MAX	UNIT
Reverse breakdown voltage	$V_{(BR)R}$	$I_R=1\text{mA}$	20			V
Reverse current	I_R	$V_R=20\text{V}$			200	μA
Forward voltage	V_F	$I_F=700\text{mA}$			0.49	V