

Relay compatible with sockets:

S3-B, S3-S, S3-MP, S3-MS, S3-L, S3-PO

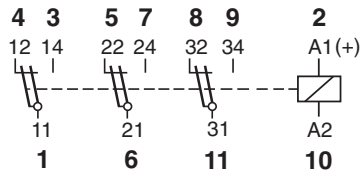


Table 1 Electrical Life, ops. x 10⁶

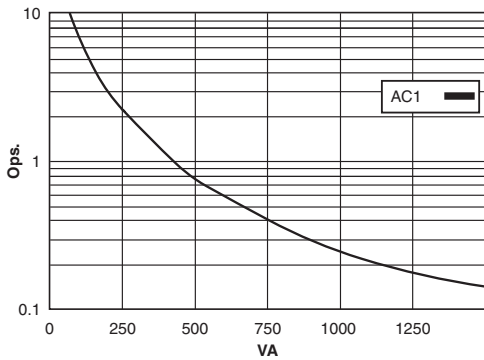
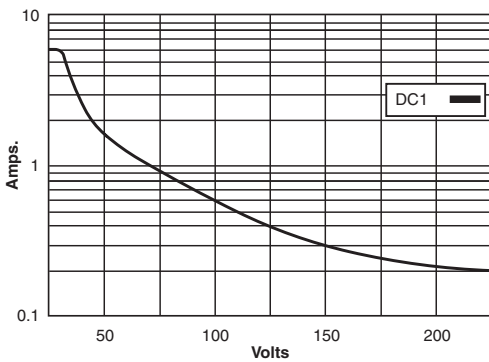
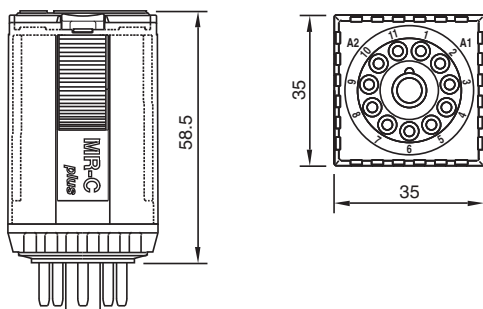


Table 2 Max. DC Load



Dimensions - mm



C3-T31



Low levelL

Three change-over bifurcated contacts

6 A 250 V AC1 6 A 30 V DC1

Min. contacts load: 1 mA / 5 V DC1

Contacts

Materials:	Standard, code 1	AgNi + 0.3µAu
	Optional, code 2	AgNi + 10µAu
Max. switching current		6 A
Max. peak inrush current (15 ms)		15 A
Max. switching voltage		250 V
Max. AC load (Table 1)		1.2 KVA
Max. DC load (Table 2)		

Coils (Ohms ±10% @ 20°C)

Pull-in voltage	≤0.8 x U _n
Drop-out voltage	≥0.1 x U _n
Nominal coil power	2.2 VA (AC)/1.3 W (DC)

VAC	Ω	mA	VDC	Ω	mA
24	67	92	24	443	54
48	296	46	48	1K8	27
115	1K7	19	110	9K2	12
230	7K1	9.5	220	36K1	6

Insulation

Dielectric strength (1 minute):	Open contacts	1,000 V
	Between adjacent poles	2.5 KV
	Between contacts and coil	2.5 KV
Isolation resistance at 500 V		≥1 GΩ
Isolation, IEC 61810-5:		2.5 KV / 3

Specifications

Operate time + bounce time	16 ms
Release time + bounce time	8 ms
Ambient temperature	-40°C (no ice) to +70°C
Mechanical life ops.	10 Mill. AC, 20 Mill. DC relays
Electrical life at nominal load	≥100,000 ops.
Operating frequency at nominal load	1,200/hour
Protection degree	IP 40/RT1
Weight avg.	90 g

Standard Types

AC 50 Hz, (60 Hz): 24, 48, 115, (120), 230, (240)	
X = LED (standard)	C3-T31X VAC
RC suppressor	C3-T31R VAC
DC 24, 48, 110, 220	
X = LED, no polarity (standard)	C3-T31X VDC
Free-wheeling diode	C3-T31DX VDC
Polarity and free-wheeling diodes	C3-T31FX VDC
AC/DC bridge rectifier (24, 48 or 60 V)	C3-T31BX VDC



IEC 61810 EN 60947