

# MACHINE PIN SOCKET

## EMS SERIES

### FEATURES

- Funnel shaped four-fingered and six-fingered contacts provide easy IC insertion and withdrawal, high reliability
- Gold plated contact to ensure low contact resistance and Tin plated terminal to prevent contamination during soldering
- All plastic are UL 94V-0 grade fire retardant
- Fit standard pitch with 2.54mm x 2.54mm (0.1" x 0.1") pin spacing

### SPECIFICATIONS

#### 1.MATERIAL

- Sleeve: Brass Gold or Tin over Nickel plated
- Clip: Beryllium Copper Gold over Nickel plated

#### 2.ELECTRICAL

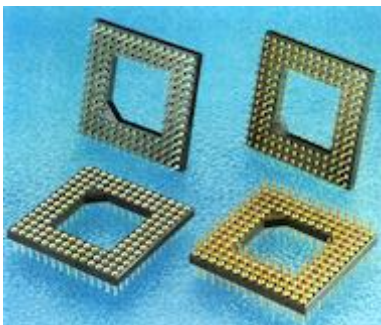
- Contact Rating: 1 ADC Max.
- Contact Resistance: 10mΩ Max.
- Insulation Resistance: 10<sup>6</sup>MΩ Min. at 100 VDC
- Dielectric Strength: 1000 VAC Min. for 1 minute
- Capacitance between adjacent pin 0.9pF Max.

#### 3.MECHANICAL AND ENVIRONMENTAL

- Temperature Rating: Operating -55°C to +125°C
- Average insertion force with steel pin of Ø0.43mm/0.017" <250g
- Average withdrawal force with steel pin of Ø0.43mm/0.017" >25g
- Life cycle with insertion and withdrawal: 100 operating cycles Min.
- Humidity: 90~95% RH, 40°C for 96 Hrs.
- Vibration: per MIL-STD-202F METHOD 204D
- Solderability: per MIL-STD-202F METHOD 208D
- Soldering Heat: 260±5°C for 5±1 seconds

### KINDS OF BASE

PGA TYPE



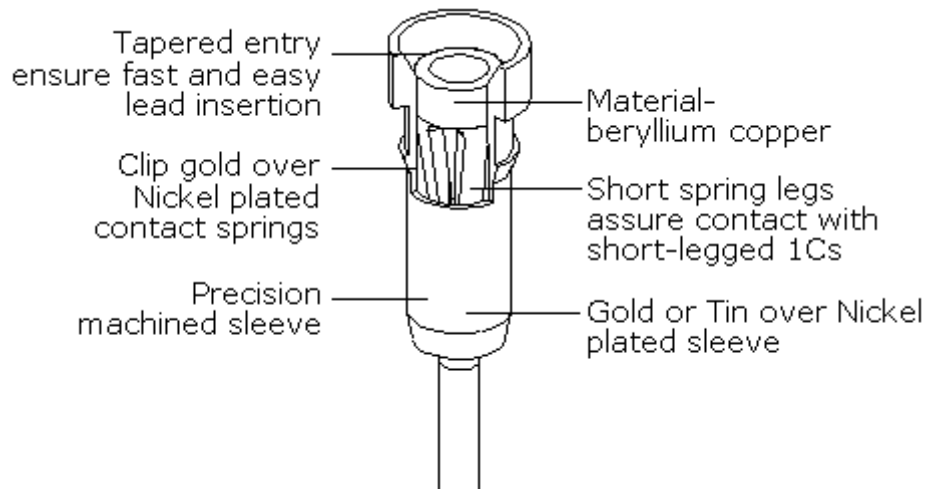
DIP TYPE



SIP TYPE

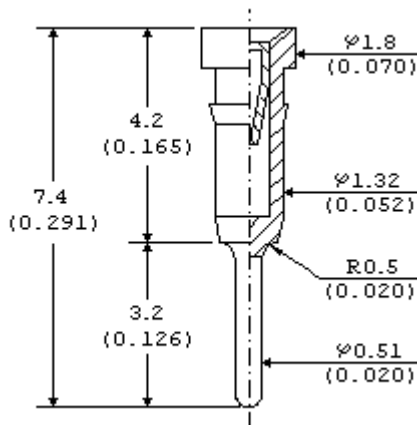


## CONSTRUCTION OF PIN

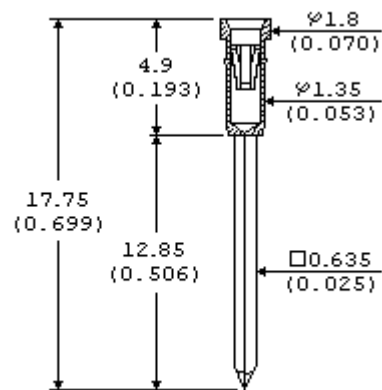


## KINDS OF PIN: UNIT: mm(inch)

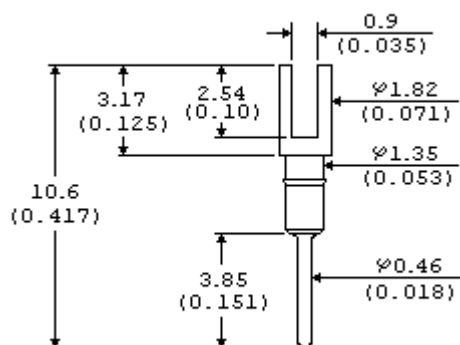
### STANDARD PIN



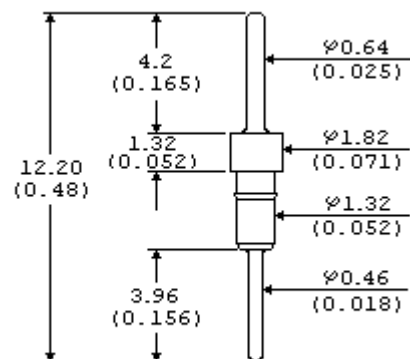
### WIRE-WRAP PIN



### SOLDER FORK PIN



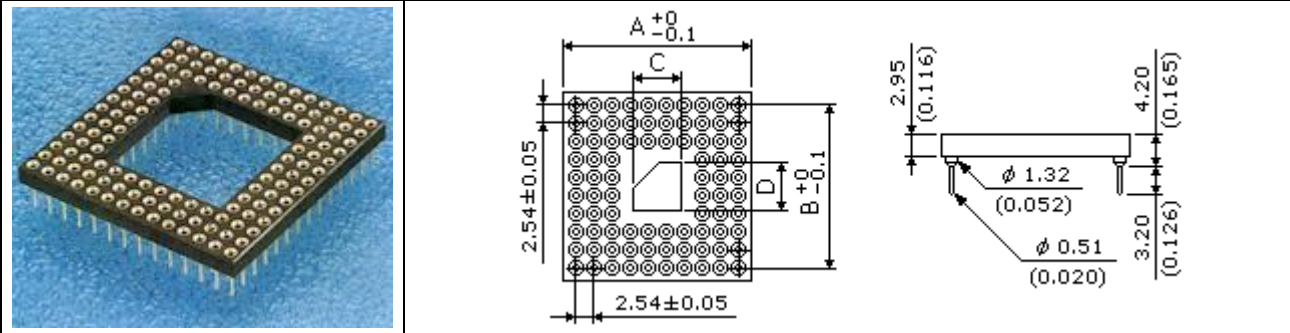
### STRAIGHT PIN



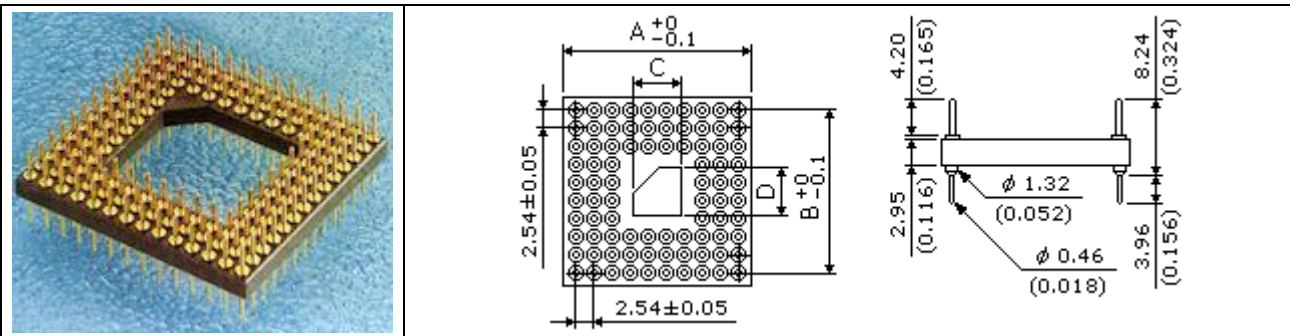
**PGA TYPE**

**■ DIMENSIONS AND CIRCUITRY: UNIT: mm(inch)**

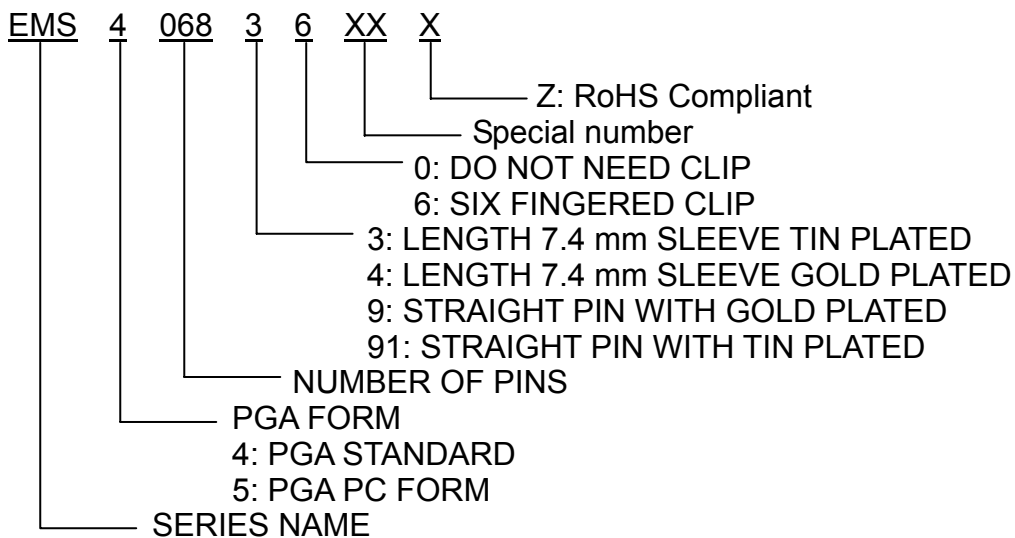
**● STANDARD PIN**



**● STRAIGHT PIN**



**■ PART NUMBERING SYSTEM**

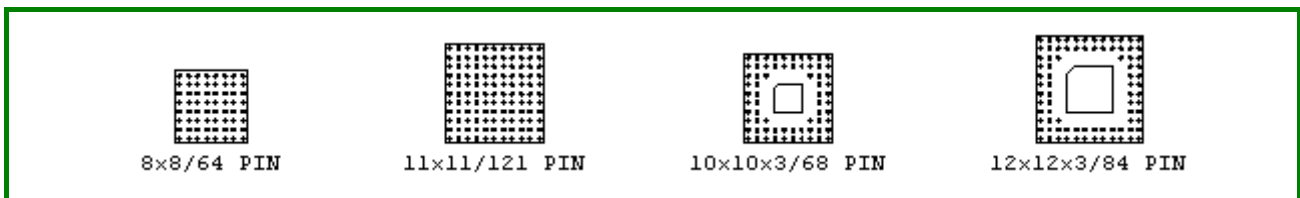


PART NO.	PIN NO.	A	B	C	D
EMS4044**	8×8×2/44 PIN	20.20	17.78	8.50	8.50
EMS4064**	10×10×2/64 PIN	25.20	22.86	12.70	12.70
EMS4065**	10×10×3/65 PIN	25.20	22.86	12.70	12.70
EMS4068**	11×11×2/68 PIN	28.50	28.50	17.50	17.50
EMS4072**	11×11×2/72 PIN	27.78	25.40	14.75	14.75
EMS4084**	13×13×2/84 PIN	33.60	30.48	17.80	17.80
EMS4096**	11×11×3/96 PIN	27.84	25.4	9.70	9.70
EMS4101**	13×13×3/101 PIN	32.92	30.48	17.20	17.20
EMS4121**	13×13×3/121 PIN	33.42	30.48	17.40	17.40
EMS4132**	14×14×3/132 PIN	35.96	33.02	19.90	19.90
EMS4133**	14×14×3/133 PIN	35.96	33.02	19.90	19.90
EMS4144**	15×15×3/144 PIN	38.50	35.56	20.30	20.30
EMS4145**	15×15×3/145 PIN	38.50	35.56	20.30	20.30
EMS4149**	15×15×4/149 PIN	39.15	35.56	17.70	17.70
EMS4168**	17×17×3/168 PIN	43.58	40.64	24.40	24.40
EMS4169**	17×17×3/169 PIN	43.58	40.64	24.40	24.40
EMS4176**	15×15×4/176 PIN	38.50	35.56	16.50	16.50
EMS4177**	15×15×5/177 PIN	38.50	35.56	16.50	16.50

## ■ STANDARD CONFIGURATIONS

### ● PGA PC FOORM

### ● SPECIAL FORM NO. ONE



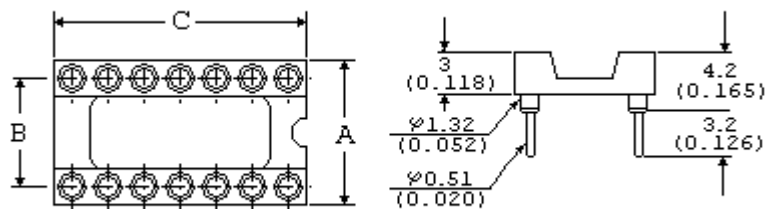
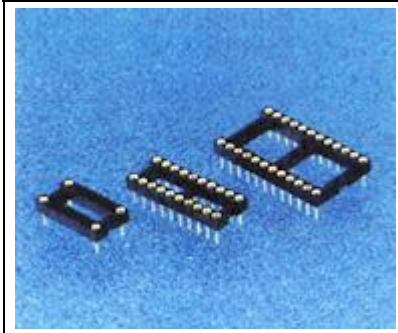
## ● PGA FOORM

8x8x2/44 PIN	10x10x2/64 PIN	10x10x3/65 PIN	11x11x2/68 PIN
11x11x2/72 PIN	13x13x2/84 PIN	11x11x3/96 PIN	13x13x3/101 PIN
13x13x3/121 PIN	14x14x3/132 PIN	14x14x3/133 PIN	15x15x3/144 PIN
15x15x3/145 PIN	15x15x4/149 PIN	17x17x3/168 PIN	17x17x3/169PIN
15x15x4/176 PIN	15x15x5/177 PIN	17x17x5/236 PIN	17x17x5/237 PIN

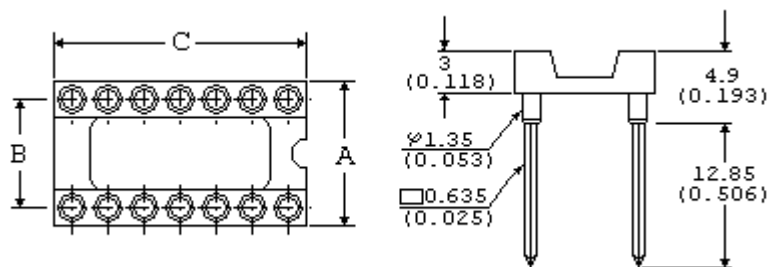
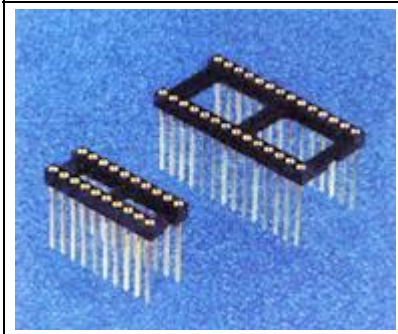
## DIP TYPE

### ■ DIMENSIONS AND CIRCUITRY: UNIT: mm(inch)

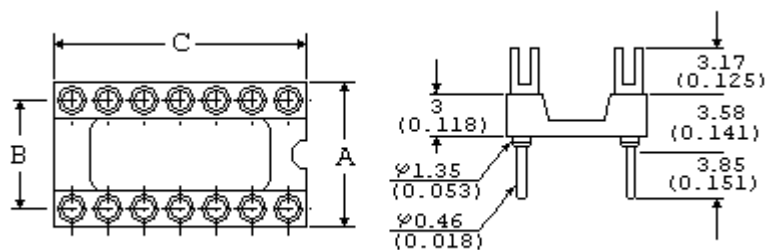
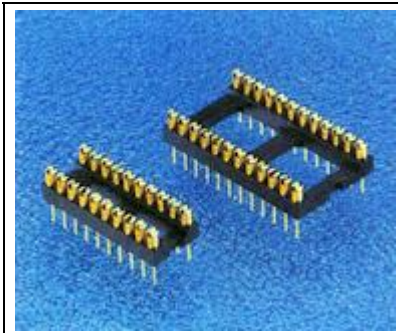
#### ● STANDARD PIN



#### ● WIRE-WRAP PIN



#### ● SOLDER FORK PIN



#### ● STRAIGHT PIN

