
Features

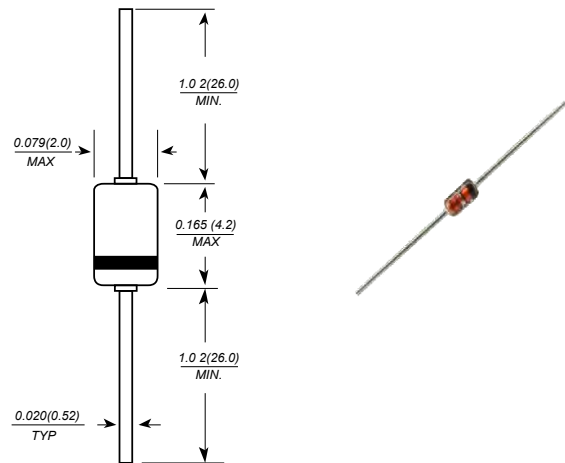
- Low forward voltage
- High breakdown voltage
- Low diode capacitance.

Mechanical Data

- Case: DO-35, glass case
- Polarity: Color band denotes cathode
- Weight: 0.004 ounces, 0.13 grams



DO-35(GLASS)



Dimensions in millimeters

Maximum Ratings and Thermal Characteristics (Rating at 25 °C ambient temperature unless otherwise specified.)

Characteristic	Symbol	Value	Unit
Reverse Voltage	V_R	10	V
Average Rectified Current	I_o	15	mA
Power Dissipation	P_D	150	mW
Junction Temperature	T_J	100	°C
Storage temperature range	T_{stg}	-55 to + 100	°C

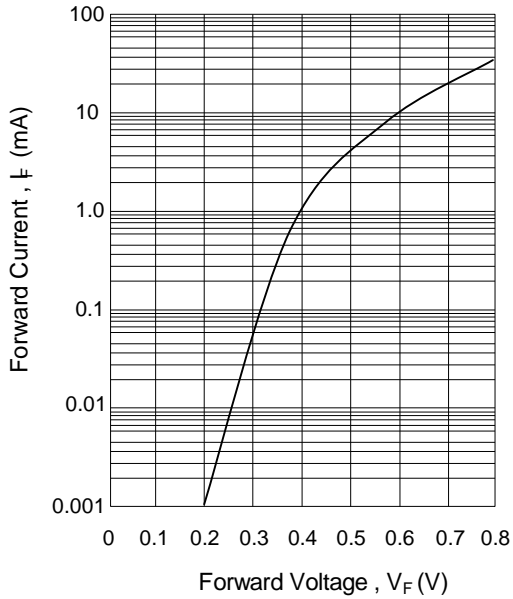
Note: (1) Valid provided that leads at a distance of 4mm from case are kept at ambient temperature.

Electrical Characteristics ($T_J = 25^\circ\text{C}$ unless otherwise noted)

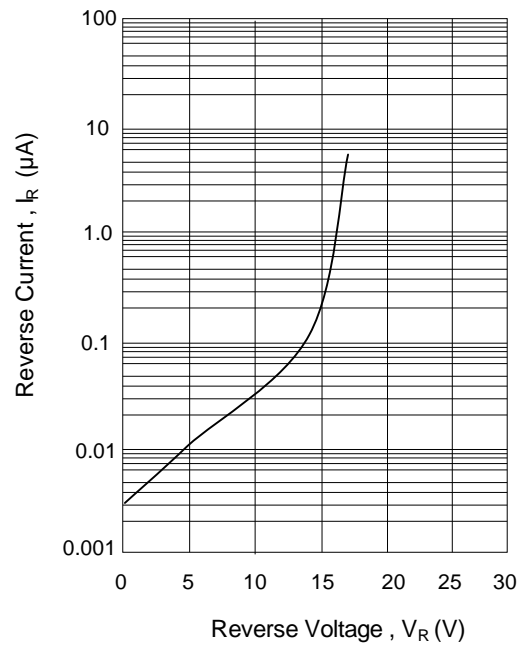
Characteristic	Symbol	Test Condition	Min	Typ	Max	Unit
Reverse Current	I_R	$V_R = 10\text{ V}$	-	-	10	μA
		$V_R = 2\text{ V}$	-	-	0.2	μA
Forward Voltage	V_F	$I_F = 1\text{ mA}$	365	-	430	mV
		$I_F = 10\text{ mA}$	520	-	600	mV
Diode Capacitance	C_d	$V_R = 0\text{ V}, f = 1\text{ MHz}$	-	-	1.0	pF
Forward Voltage Deviation	V_F	$I_F = 10\text{ mA}$	-	-	± 5	mV



Forward Current VS. Forward Voltage



Reverse Current VS. Reverse Voltage



Diode capacitance VS. Reverse Voltage

