

VOLTAGE RANGE: 15V
CURRENT: 0.03A

Features

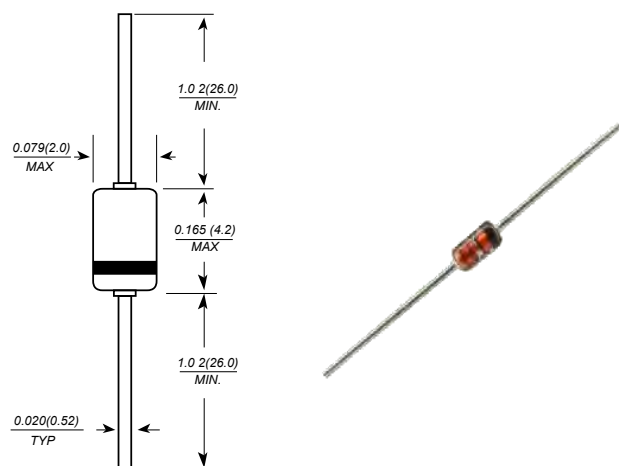
- For general purpose applications
- This diode features low turn-on voltage and high breakdown voltage. This device is protected by a PN junction guard ring against excessive voltage, such as electrostatic discharges

Mechanical Data

- Case: DO-35, glass case
- Polarity: Color band denotes cathode
- Weight: 0.004 ounces, 0.13 grams



DO-35(GLASS)



Dimensions in millimeters

Maximum Ratings $T_A = 25^\circ\text{C}$ unless otherwise specified

Characteristic	Symbol	Va	Unit
Peak reverse voltage	V_{RRM}	15	V
Forward continuous current	I_F	30 ¹⁾	mA
Surge non repetitive forward current $t_p \leq 1s$	I_{FSM}	60	mA
Junction temperature	T_J	-65 ---+ 150	$^\circ\text{C}$
Storage temperature range	T_{STG}	-65 ---+ 150	$^\circ\text{C}$

1)Valid provided that electrodes are kept at ambient temperature.

ELECTRICAL CHARACTERISTICS (Ratings at 25°C ambient temperature unless otherwise specified)

Characteristic	Symbol	Min.	Typ.	Max.	Unit
Reverse breakdown voltage @ $I_R=10\mu\text{A}$	V_R	15			V
Leakage current @ $V_R=6V$	I_R			100	nA
Forward voltage drop @ $I_F=1.0\text{mA}$ Test pulse: $t_p \leq 300\mu\text{s}$, $< 2\%$ $I_F=10\text{mA}$ $I_F=30\text{mA}$	V_F			0.38 0.5 1.0	V
Junction capacitance @ $V_R=1.0V, f=1\text{MHz}$	C_J			1.1	pF
Thermal resistance junction to ambient air	$R_{\theta JA}$			400	K/W



FIG.1 – FORWARD CURRENT VERSUS FORWARD VOLTAGE AT DIFFERENT TEMPERATURES (TYPICAL VALUES)

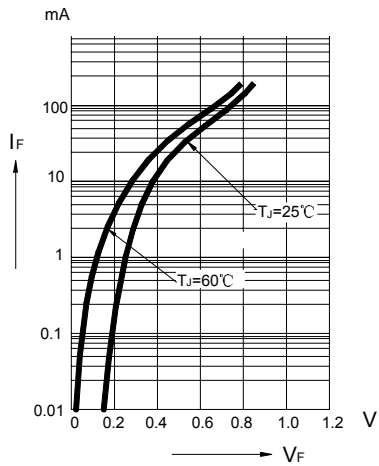


FIG2 – REVERSE CURRENT VERSUS JUNCTION TEMPERATURE

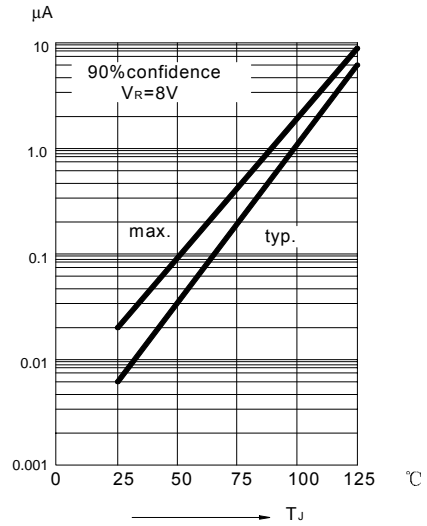


FIG.3 – REVERSE CURRENT VERSUS CONTINUOUS REVERSE VOLTAGE

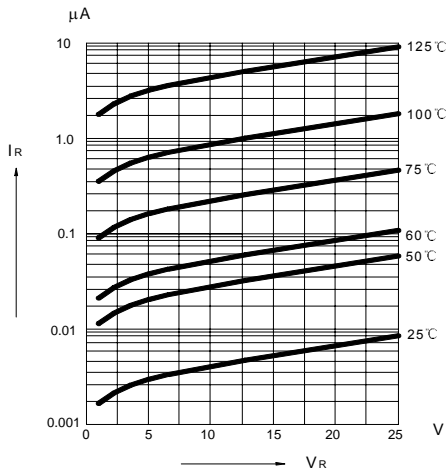


FIG4 – FORWARD CURRENT VERSUS FORWARD VOLTAGE (TYPICAL VALUES)

