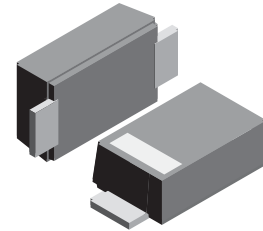


VOLTAGE RANGE: 40V
CURRENT: 0.03A

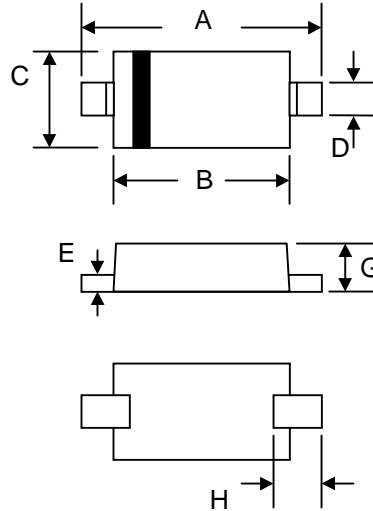
Features

- High current rectifier schottky diode.
- Low voltage; Low inductance.
- For power supply.



Mechanical Data

- Case: SOD-323, Molded Plastic
- Terminals: Plated Leads Solderable per MIL-STD-202, Method 208
- Polarity: Cathode Band
- Weight: 0.004 grams (approx.)
- Marking: B 4



SOD-323		
Dim	Min	Max
A	2.30	2.70
B	1.75	1.95
C	1.15	1.35
D	0.25	0.35
E	0.05	0.15
G	0.70	0.95
H	0.30	—
All Dimensions in mm		

Maximum Ratings T_A = 25°C unless otherwise specified

Parameter	Symbol	Limits	Unit
Peak reverse voltage	V _{RM}	40	V
DC reverse voltage	V _R	30	V
Mean rectifying current	I _O	0.03	A
Peak forward surge current	I _{FSM}	0.2	A
Junction temperature	T _j	125	°C
Storage temperature	T _{stg}	-40~+125	°C

Parameter	Symbol	Min.	Typ.	Max.	Unit	Conditions
Forward voltage	V _F			0.37	V	I _F =1mA
Reverse current	I _R			0.5	μA	V _R =30v
Capacitance between terminals	C _T		2		pF	V _R =1V, f=1MHz