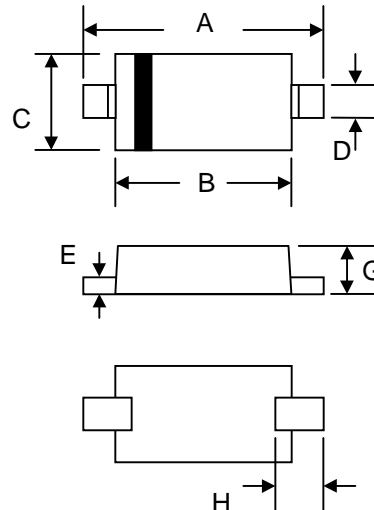


Features

- Low Forward Voltage Drop
- Guard Ring Die Construction for Transient Protection
- Ideal for low logic level applications
- Low Capacitance

Mechanical Data

- Case: SOD-323, Plastic
- Case material - UL Flammability Rating Classification 94V-0
- Marking Code: SR
- Weight: 0.004 grams (approx.)



SOD-323		
Dim	Min	Max
A	2.30	2.70
B	1.75	1.95
C	1.15	1.35
D	0.25	0.35
E	0.05	0.15
G	0.70	0.95
H	0.30	—
All Dimensions in mm		

Maximum Ratings @ T_A = 25°C unless otherwise specified

Characteristic	Symbol	SDMK0340L	Unit
Peak Repetitive Reverse Voltage Working Peak Reverse Voltage DC Blocking Voltage	V _{RRM} V _{RWM} V _R	40	V
RMS Reverse Voltage	V _{R(RMS)}	28	V
Average Rectified Current	I _O	30	mA
Non-Repetitive Peak Forward Surge Current @ 8.3ms Single half sine-wave superimposed on rated load (JEDEC method)	I _{FSM}	200	mA
Power Dissipation	P _d	160	mW
Thermal Resistance, Junction to Ambient Air	R _{θJA}	625	°C/W
Operating and Storage Temperature Range	T _j , T _{STG}	-40 to +125	°C

Electrical Characteristics @ T_A = 25°C unless otherwise specified

Characteristic	Symbol	Min	Typ	Max	Unit	Test Condition
Reverse Breakdown Voltage (Note 1)	V _{(BR)R}	40	—	—	V	I _R = 10uA
Forward Voltage Drop (Note 1)	V _F	—	290	370	mV	I _F = 1mA
Leakage Current (Note 1)	I _R	—	0.20	0.5	μA	V _R = 30V
Total Capacitance	C _T	—	2	—	pF	V _R = 1V f = 1.0 MHz

Notes: 1. Short duration test pulse to minimize self-heating effect.

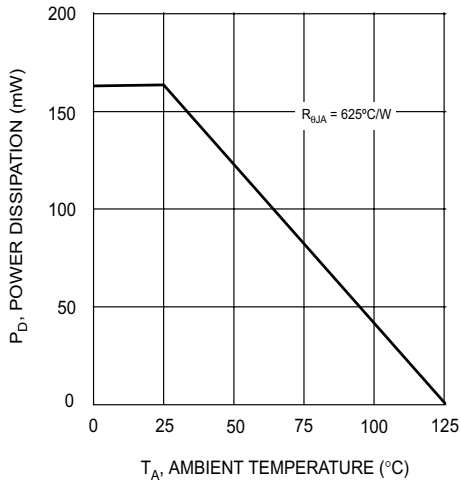


Fig. 1 Derating Curve

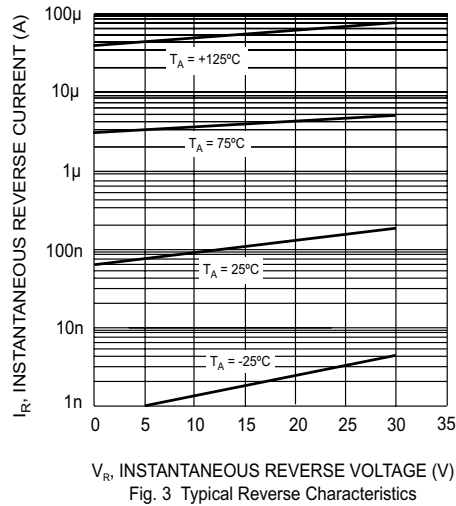


Fig. 3 Typical Reverse Characteristics

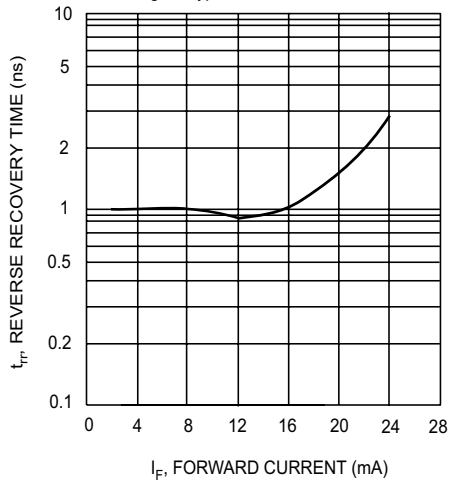


Fig. 5 Typical Reverse Recovery Time Characteristics

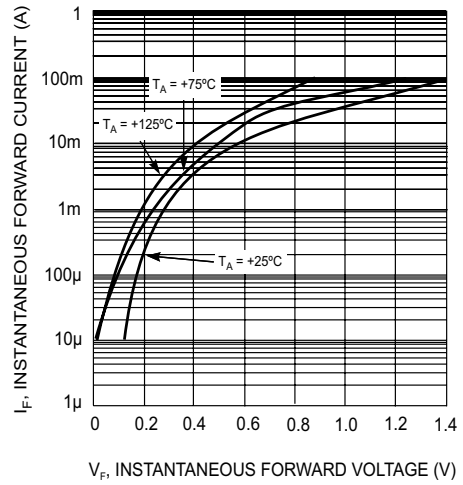


Fig. 2 Typical Forward Characteristics

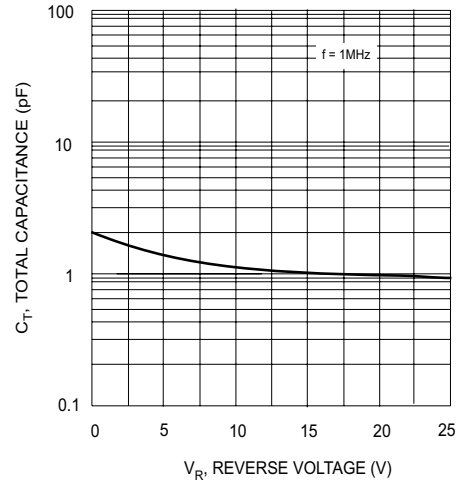


Fig. 4 Total Capacitance vs. DC Voltage