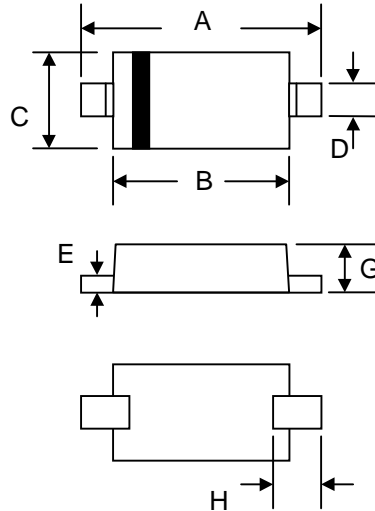


### Features

- Total power dissipation: Max. 300mW.
- Wide zener reverse voltage range 2.0V to 75V.
- Small plastic package suitable for surface mounted design.
- Tolerance approximately  $\pm 5\%$

### Mechanical Data

- Case: SOD-323
- Terminals: Solderable per MIL-STD-750, Method 2026
- Approx. Weight: 5.48mg / 0.00019oz



SOD-323		
Dim	Min	Max
A	2.30	2.70
B	1.75	1.95
C	1.15	1.35
D	0.25	0.35
E	0.05	0.15
G	0.70	0.95
H	0.30	—
All Dimensions in mm		

### Maximum Ratings and Electrical Characteristics $T_A = 25^\circ\text{C}$ unless otherwise specified

Single phase, half wave, 60Hz, resistive or inductive load. For capacitive load, derate current by 20%.

Parameter	Symbol	Value	Unit
Power Dissipation	$P_{tot}$	300	mW
Forward Voltage at $I_F = 10\text{ mA}$	$V_F$	0.9	V
Typical thermal resistance junction to ambient <sup>(1)</sup>	$R_{\theta JA}$	417	$^\circ\text{C/W}$
Operating and Storage Temperature Range	$T_j, T_{stg}$	-55 ~ +150	$^\circ\text{C}$

(1) Thermal resistance from junction to ambient at P.C.B. mounted with 2.0" X 2.0" (5 X 5 cm) copper areas pads.

Fig.1 Maximum Continuous Power Derating

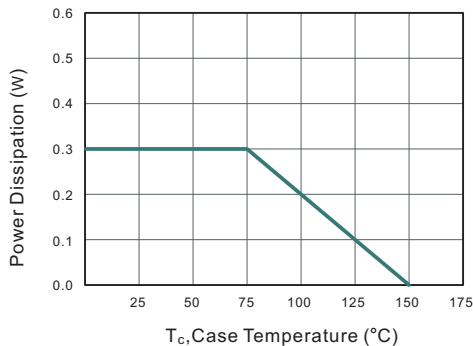
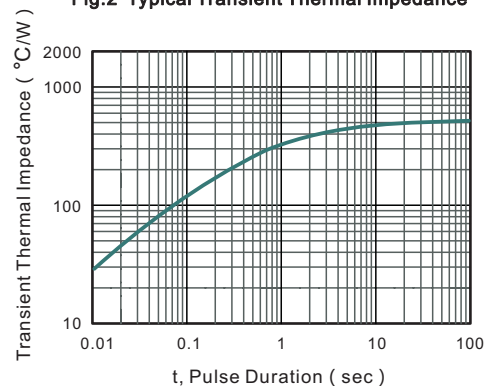


Fig.2 Typical Transient Thermal Impedance



Type	Zener Voltage Range <sup>(1)</sup>			I <sub>ZT</sub>	Dynamic Impedance	Reverse Current	
	V <sub>ZT</sub> ( at I <sub>ZT</sub> )				Z <sub>ZT</sub> ( at I <sub>ZT</sub> )	I <sub>R</sub>	at V <sub>R</sub>
	Min ( V )	Nom ( V )	Max ( V )	(mA)	Max (Ω)	Max ( μA )	( V )
MM3Z2V0	1.8	2.0	2.15	5	100	120	0.5
MM3Z2V2	2.08	2.2	2.33	5	100	120	0.7
MM3Z2V4	2.28	2.4	2.56	5	100	120	1
MM3Z2V7	2.5	2.7	2.9	5	110	120	1
MM3Z3V0	2.8	3.0	3.2	5	120	50	1
MM3Z3V3	3.1	3.3	3.5	5	130	20	1
MM3Z3V6	3.4	3.6	3.8	5	130	10	1
MM3Z3V9	3.7	3.9	4.1	5	130	5	1
MM3Z4V3	4	4.3	4.6	5	130	5	1
MM3Z4V7	4.4	4.7	5	5	130	2	1
MM3Z5V1	4.8	5.1	5.4	5	130	2	1.5
MM3Z5V6	5.2	5.6	6	5	80	1	2.5
MM3Z6V2	5.8	6.2	6.6	5	50	1	3
MM3Z6V8	6.4	6.8	7.2	5	30	0.5	3.5
MM3Z7V5	7	7.5	7.9	5	30	0.5	4
MM3Z8V2	7.7	8.2	8.7	5	30	0.5	5
MM3Z9V1	8.5	9.1	9.6	5	30	0.5	6
MM3Z10	9.4	10	10.6	5	30	0.1	7
MM3Z11	10.4	11	11.6	5	30	0.1	8
MM3Z12	11.4	12	12.7	5	35	0.1	9
MM3Z13	12.4	13	14.1	5	35	0.1	10
MM3Z15	13.8	15	15.6	5	40	0.1	11
MM3Z16	15.3	16	17.1	5	40	0.1	12
MM3Z18	16.8	18	19.1	5	45	0.1	13
MM3Z20	18.8	20	21.2	5	50	0.1	15
MM3Z22	20.8	22	23.3	5	55	0.1	17
MM3Z24	22.8	24	25.6	5	60	0.1	19
MM3Z27	25.1	27	28.9	2	70	0.1	21
MM3Z30	28	30	32	2	80	0.1	23
MM3Z33	31	33	35	2	80	0.1	25
MM3Z36	34	36	38	2	90	0.1	27
MM3Z39	37	39	41	2	100	0.1	30
MM3Z43	40	43	46	2	130	0.1	33
MM3Z47	44	47	50	2	150	0.1	36
MM3Z51	48	51	54	2	180	0.1	39
MM3Z56	52	56	60	2	200	0.1	43
MM3Z62	58	62	66	2	215	0.1	47
MM3Z68	64	68	72	2	240	0.1	52
MM3Z75	70	75	79	2	265	0.1	56