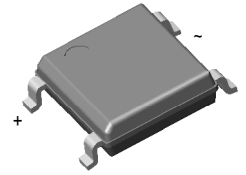


**VOLTAGE RANGE: 200 - 1000V**  
**CURRENT: 1.0 A**



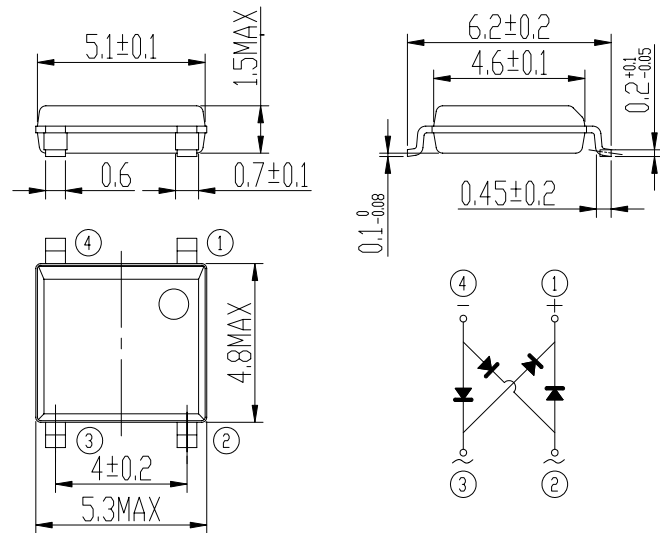
**SOPA-4**

### Features

- Low Profile: Typical height of 1.4mm
- Ideal for automated placement
- High surge current capability

### Mechanical Data

- Case: SOPA-4
- Epoxy meets UL-94V-0 Flammability rating
- Terminals: Matte tin plated leads, solderable per J-STD-002B and JESD22-B102D
- Polarity: As marked on body



### Maximum Ratings and Electrical Characteristics T<sub>A</sub> = 25°C unless otherwise specified

Single phase, half wave, 60Hz, resistive or inductive load. For capacitive load, derate current by 20%.

Characteristic	Symbol	LB2S	LB4S	LB6S	LB8S	LB10S	Unit
Maximum repetitive peak reverse voltage	V <sub>RRM</sub>	200	400	600	800	1000	V
Maximum RMS voltage	V <sub>RMS</sub>	140	280	420	560	800	V
Maximum DC blocking voltage	V <sub>DC</sub>	200	400	600	800	1000	V
Maximum Average forward output rectified current on glass-epoxy P.C.B on aluminum substrate	I <sub>F(AV)</sub>	1.0					A
Peak forward surge current 8.3 ms single sine-wave superimposed on rated load (JEDEC Method)	I <sub>FSM</sub>	30					A
Rating for fusing (t<8.3ms)	I <sup>2</sup> <sub>t</sub>	3					A <sup>2</sup> sec
Maximum instantaneous forward voltage drop per diode at 0.4A	V <sub>F</sub>	0.95					V
Maximum DC reverse current at T <sub>A</sub> =25 rated DC blocking voltage per leg T <sub>A</sub> =125	I <sub>R</sub>	5 500					μA
Typical thermal resistance per leg (Note 1)	R <sub>θJA</sub> R <sub>θJL</sub>	80 25					/W
Operating junction temperature range	T <sub>J</sub>	-55 to +150					
Storage temperature range	T <sub>STG</sub>	-55 to +150					

**Notes:**  
 1. Device mounted P.C.B with 0.47x0.47"(12mmx12mm) Copper Pads.  
 2. JEDEC registered values

(TA=25 unless otherwise noted)

