

Features

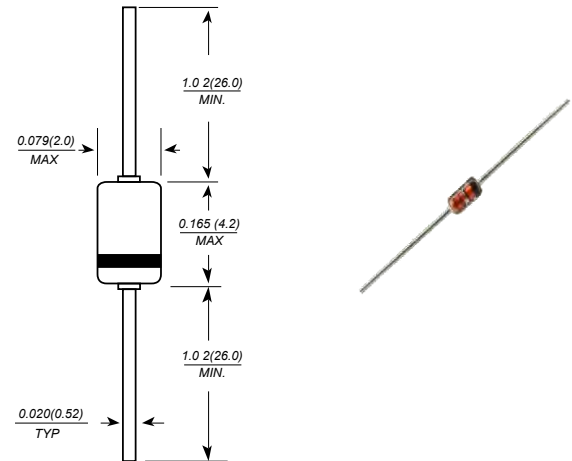
- Silicon epitaxial planar diode
- High speed switching diode
- These diodes are also available in glass case

Mechanical Data

- Case: DO-35, glass case
- Polarity: Color band denotes cathode
- Weight: 0.005 ounces, 0.14 grams



DO-35(GLASS)



Dimensions in millimeters

Maximum Ratings @ $T_A = 25^\circ\text{C}$ unless otherwise specified

Type	$I_{(AV)}$ A	V_{RRM} ($I=I_{RM}$) V	V_R V	I_{FSM} A	V_{FM}		$I_{RM}@V_{RRM}$ $T_A=25^\circ\text{C}$		t_{rr} ns
					V_{FM} V	$I_{(AV)}$ A	I_R μA	V_R V	
1SS141	0.11	40	35	0.3	1.2	0.1	0.01	20	50
1SS144	0.2	200	150	1.0	1.0	0.1	0.5	150	400
1SS145	0.2	300	250	1.0	1.0	0.1	0.5	250	400
1SS146	0.2	250	200	1.0	1.0	0.1	0.5	200	400
1SS147	0.2	200	150	1.0	1.0	0.1	0.5	150	400