

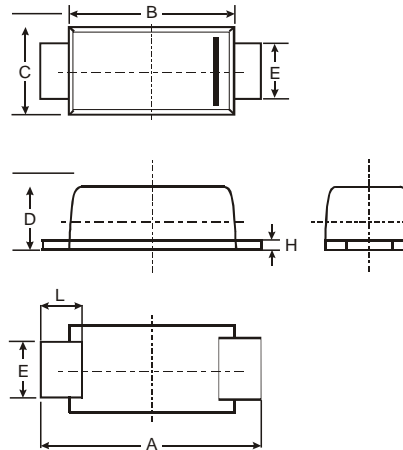
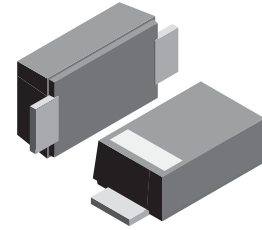
**VOLTAGE RANGE: 100 - 1000V**  
**CURRENT: 1.0 A**

### Features

- Glass passivated device
- Ideal for surface mounted applications
- Low reverse leakage
- Metallurgically bonded construction
- High temperature soldering guaranteed:  
 ● 250°C/10 seconds, 0.375" (9.5mm) lead length,  
 5 lbs. (2.3kg) tension

### Mechanical Data

- Case: SOD-123FL  
 plastic body over passivated junction
- Terminals : Plated axial leads,
- solderable per MIL-STD-750, Method 2026
- Polarity : Color band denotes cathode end
- Mounting Position : Any
- Weight: 0.0007 ounce, 0.02 grams



SOD-123FL			
Dim	Min	Max	Typ
A	3.50	3.80	3.65
B	2.60	2.90	2.75
C	1.70	1.90	1.80
D	0.09	1.10	1.00
E	0.08	1.10	0.095
H	0.12	0.20	0.16
L	0.07	0.09	0.08
All Dimensions in mm			

### Maximum Ratings and Electrical Characteristics T<sub>A</sub> = 25°C unless otherwise specified

Single phase, half wave, 60Hz, resistive or inductive load. For capacitive load, derate current by 20%.

Characteristic	Symbol	RS1001FL	RS1002FL	RS1004FL	RS1006FL	RS1008FL	RS1010FL	Unit
Maximum repetitive peak reverse voltage	V <sub>RRM</sub>	100	200	400	600	800	1000	V
Maximum RMS voltage	V <sub>RMS</sub>	70	140	280	420	560	700	V
Maximum DC blocking voltage	V <sub>DC</sub>	100	200	400	600	800	1000	V
Maximum average forward rectified current at T <sub>A</sub> =65°C (NOTE 1)	I <sub>(AV)</sub>	1.0						A
Peak forward surge current 8.3ms single half sine-wave superimposed on rated load (JEDEC Method) T <sub>L</sub> =25°C	I <sub>FSM</sub>	25.0						A
Maximum instantaneous forward voltage at 1.0A	V <sub>F</sub>	1.3						V
Maximum DC reverse current T <sub>A</sub> =25°C at rated DC blocking voltage T <sub>A</sub> =125°C	I <sub>R</sub>	5.0 50.0						μA
Maximum reverse recovery time (NOTE 2)	t <sub>rr</sub>	150		250	500			ns
Typical junction capacitance (NOTE 3)	C <sub>J</sub>	15						pF
Operating junction and storage temperature range	T <sub>J</sub> , T <sub>STG</sub>	-50 to +150						°C

**Note:** 1. Averaged over any 20ms period.  
 2. Measured with I<sub>F</sub>=0.5A, I<sub>R</sub>=1A, I<sub>rr</sub>=0.25A.  
 3. Measured at 1MHz and applied reverse voltage of 4.0V D.C.

## RATINGS AND CHARACTERISTIC CURVES RS1001FL - RS1010FL

