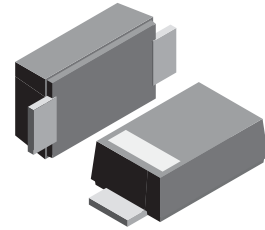


VOLTAGE RANGE: 50 - 1000V
CURRENT: 0.7A

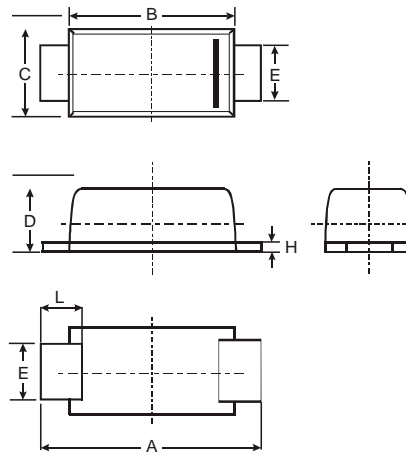
Features

- Glass passivated device
- Ideal for surface mounted applications
- Low leakage current
- Metallurgically bonded construction
- High temperature soldering:
● 250 /10 seconds at terminals



Mechanical Data

- Case: JEDEC SOD-123FL molded plastic body over passivated chip
- Terminals : Plated axial leads, solderable per MIL-STD-750, Method 2026
- Polarity : Color band denotes cathode end
- Mounting Position : Any
- Weight:0.0007 ounce, 0.02 grams



SOD-123FL			
Dim	Min	Max	Typ
A	3.50	3.80	3.65
B	2.60	2.90	2.75
C	1.70	1.90	1.80
D	0.09	1.10	1.00
E	0.08	1.10	0.095
H	0.12	0.20	0.16
L	0.07	0.09	0.08
All Dimensions in mm			

Maximum Ratings and Electrical Characteristics T_A = 25°C unless otherwise specified

Single phase, half wave, 60Hz, resistive or inductive load. For capacitive load, derate current by 20%.

Characteristic	Symbol	S07A	S07B	S07D	S07G	S07J	S07K	S07M	Unit
Maximum repetitive peak reverse voltage	V _{RRM}	50	100	200	400	600	800	1000	V
Maximum RMS voltage	V _{RMS}	35	70	140	280	420	560	700	V
Maximum DC blocking voltage	V _{DC}	50	100	200	400	600	800	1000	V
Maximum average forward rectified current at T _A =65°C (NOTE 1)	I _(AV)	0.7							A
Peak forward surge current 8.3ms single half sine-wave superimposed on rated load (JEDEC Method) T _L =25°C	I _{FSM}	25.0							A
Maximum instantaneous forward voltage at 1.0A	V _F	1.1							V
Maximum DC reverse current T _A =25°C at rated DC blocking voltage T _A =125°C	I _R	10.0 50.0							μA
Typical junction capacitance (NOTE 2)	C _J	15							pF
Typical thermal resistance (NOTE 3)	R _{θJA}	180							K/W
Maximum reverse recovery time (NOTE 5)	t _{rr}	1.8							μS
Operating junction and storage temperature range	T _J , T _{STG}	-50 to +150							°C

- Note:**
- 1.Averaged over any 20ms period.
 - 2.Measured at 1MHz and applied reverse voltage of 4.0V D.C.
 - 3.Thermal resistance from junction to ambient at 0.375" (9.5mm)lead length,P.C.B. mounted
 - 4.Measured with I_F=0.5A, I_R=1A, I_{rr}=0.25A.

RATINGS AND CHARACTERISTIC CURVES S07A THRU S07M

FIG.1 – TYPICAL FORWARD CHARACTERISTIC

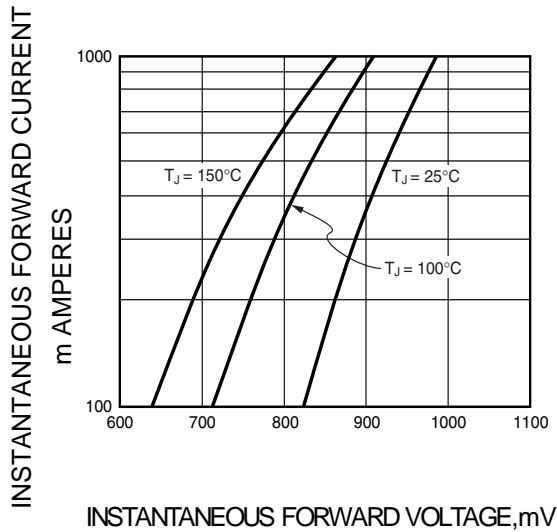


FIG.2 – TYPICAL JUNCTION CAPACITANCE

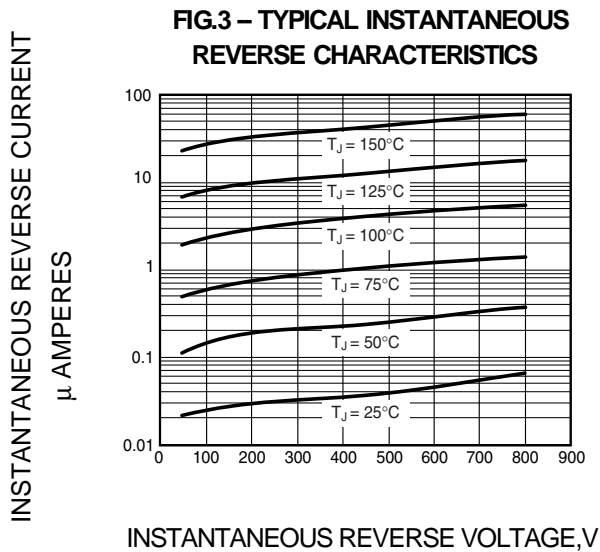
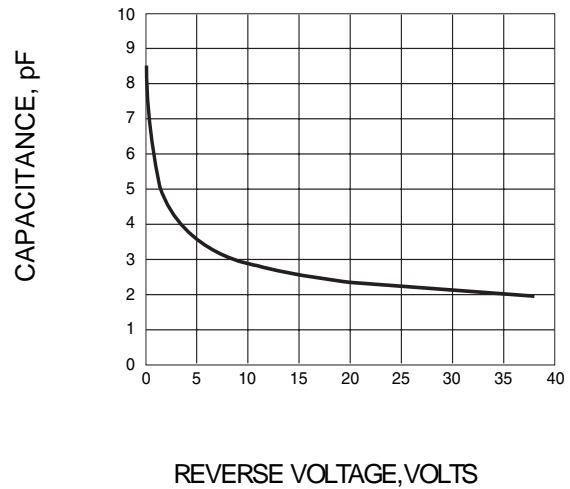


FIG.4 – FORWARD DERATING CURVE

