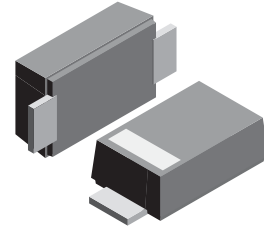


VOLTAGE RANGE: 20 - 40V
CURRENT: 350 mA

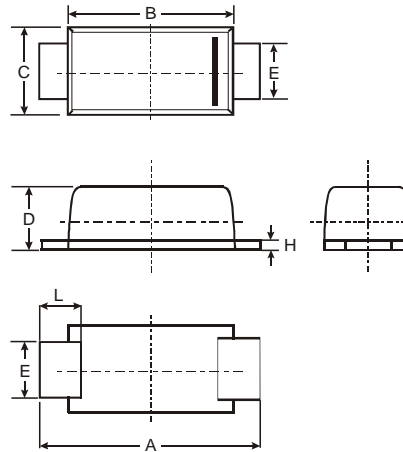
Features

- Low Forward Voltage Drop
- Guard Ring Construction for Transient Protection
- Low Reverse Recovery Time
- Low Reverse Capacitance



Mechanical Data

- Case: SOD-123FL
plastic body over passivated junction
- Terminals : Plated axial leads,
- solderable per MIL-STD-750, Method 2026
- Polarity : Color band denotes cathode end
- Mounting Position : Any
- Weight: 0.0007 ounce, 0.02 grams



SOD-123FL			
Dim	Min	Max	Typ
A	3.58	3.72	3.65
B	2.72	2.78	2.75
C	1.77	1.83	1.80
D	1.02	1.08	1.05
E	0.097	1.03	1.00
H	0.13	0.17	0.15
L	0.53	0.57	0.55
All Dimensions in mm			

Maximum Ratings @ T_A = 25°C unless otherwise specified

Characteristic	Symbol	SD103AW	SD103BW	SD103CW	Unit
Peak Repetitive Reverse Voltage	V _{RRM}				V
Working Peak Reverse Voltage	V _{RWM}	40	30	20	
DC Blocking Voltage	V _R				
Forward Continuous Current (Note 1)	I _F	350			mA
Non-Repetitive Peak Forward Surge Current @ t < 1.0s	I _{FSM}	2.0			A
Power Dissipation	P _d	400			mW
Typical Thermal Resistance, Junction to Ambient Air (Note 1)	R _{θJA}	300			°C/W
Operating and Storage Temperature Range	T _J , T _{STG}	-65 to +125			°C

Electrical Characteristics @ T_A = 25°C unless otherwise specified

Characteristic	Symbol	All Types	Unit	Test Condition
Forward Voltage Drop	V _{FM}	0.37 0.60	V	@ I _F = 20mA @ I _F = 200mA
Peak Reverse Leakage Current	I _{RM}	5.0	μA	@ Rated DC Blocking Voltage
Typical Junction Capacitance	C _j	50	pF	V _R = 0V, f = 1.0MHz
Typical Reverse Recovery Time	t _{rr}	10	nS	I _F = I _R = 50mA to 200mA I _{RR} = 0.1 x I _R , R _L = 100Ω

Note: 1. Valid provided that terminals are kept at ambient temperature.

RATINGS AND CHARACTERISTIC CURVES SD103AW THRU SD103CW

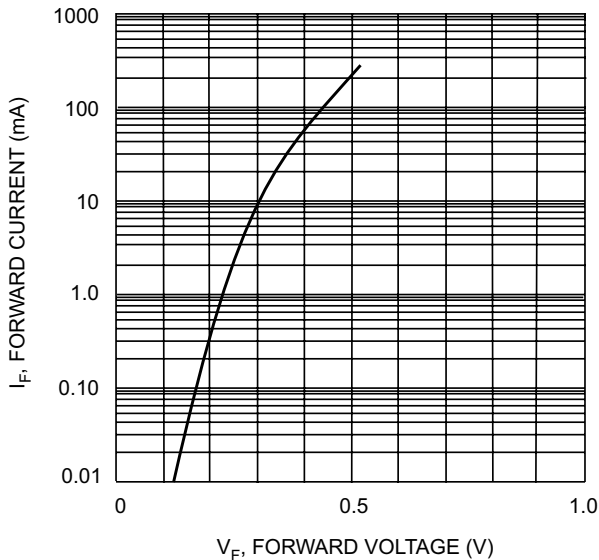


Fig. 1 Typical Forward Characteristics

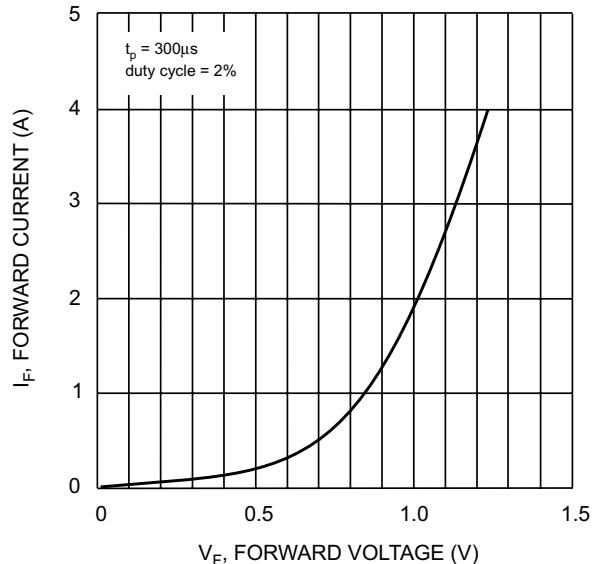


Fig. 2 Typical High Current Fwd Characteristics

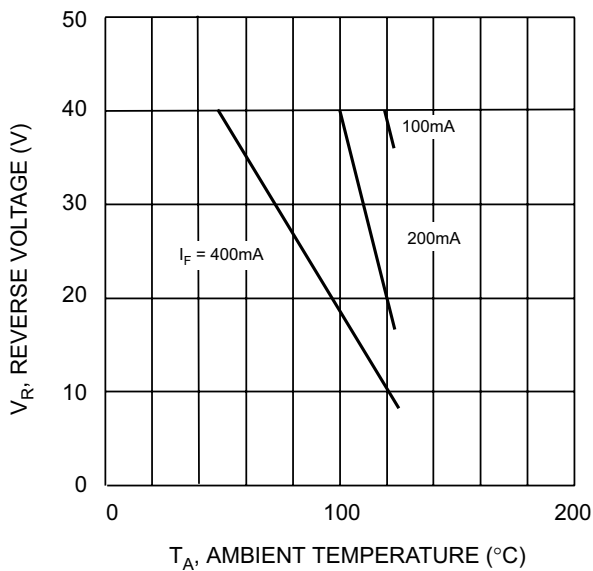


Fig. 3 Blocking Voltage Derating Curves

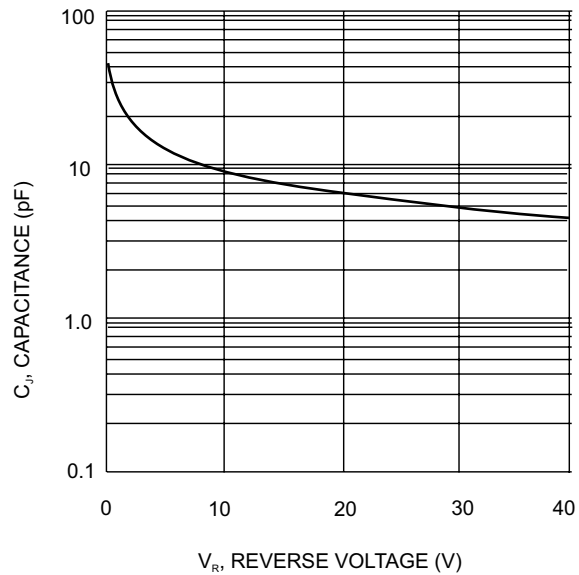


Fig. 4 Typ. Junction Capacitance vs Reverse Voltage