

VOLTAGE RANGE: 40 - 200V

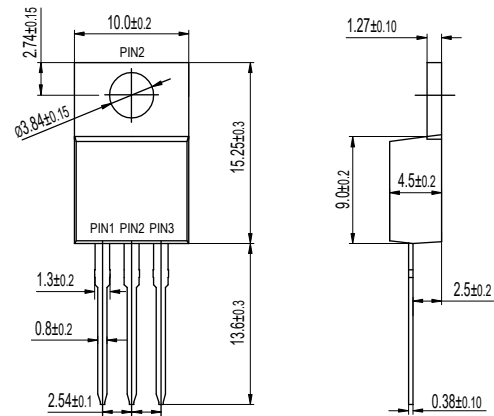
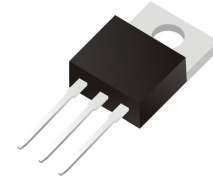
CURRENT: 16 A

Features

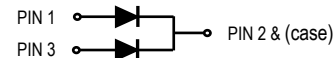
- High efficiency operation
- Low power loss
- Low stored charge majority carrier conduction
- High forward surge capability
- Lead free in compliance with EU RoHS 2011/65/EU directive
- Green molding compound as per IEC61249 Std..(Halogen Free)

Mechanical Data

- Circuit figure: Common cathode
- Leads: Solderable per mil-std-202, Method 208
- Polarity: as marked
- Mounting torque: 5 in-lbs maximum
- Terminals: Puretin plated
- Weight: TO-220AB 1.85 grams



TO-220AB



Maximum Ratings and Electrical Characteristics T_A = 25°C unless otherwise specified

RATINGS	SYMBOL	SR 1640CT	SR 1645CT	SR 1660CT	SR 16100CT	SR 16150CT	SR 16200CT	UNIT	
Maximum repetitive reverse voltage	V _{RRM}	40	45	60	100	150	200	V	
Maximum RMS voltage	V _{RMS}	28	32	42	70	105	140	V	
Maximum DC blocking voltage	V _{DC}	40	45	60	100	150	200	V	
Maximum average forward current per device per diode	I _{AV}	16 8							A
Peak forward surge current, 8.3ms single half sine-wave superimposed on rated load	I _{FSM}	180							A
Typical thermal resistance (Note 1)	R _{θ-JC}	2.0							°C/W
Operating junction temperature range	T _J	-55 to +150				-55 to +175			°C
Storage temperature range	T _{STG}	-55 to +175							°C
Maximum forward voltage per leg at I _F =8A	V _F	0.65		0.75	0.85	0.92		V	
Maximum average reverse current at rated DC blocking voltage T _J =25°C T _J =125°C	I _R	0.10 15			0.01 5				mA

Notes: 1. Thermal resistance from junction to case.

FIG. 1 - TYPICAL FORWARD CURRENT DERATING CURVE

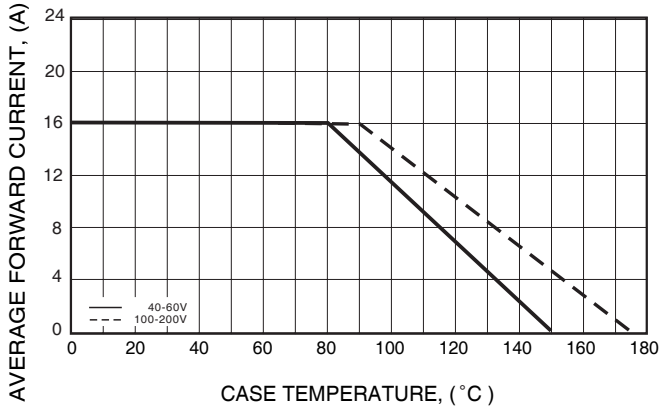


FIG. 2 - MAXIMUM NON-REPETITIVE FORWARD SURGE CURRENT

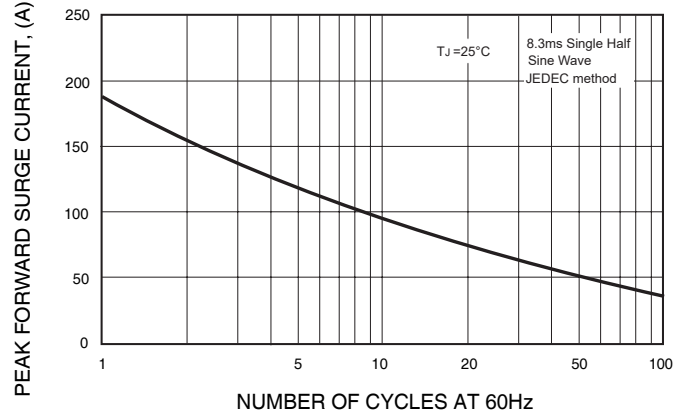


FIG. 3 - TYPICAL REVERSE CHARACTERISTICS

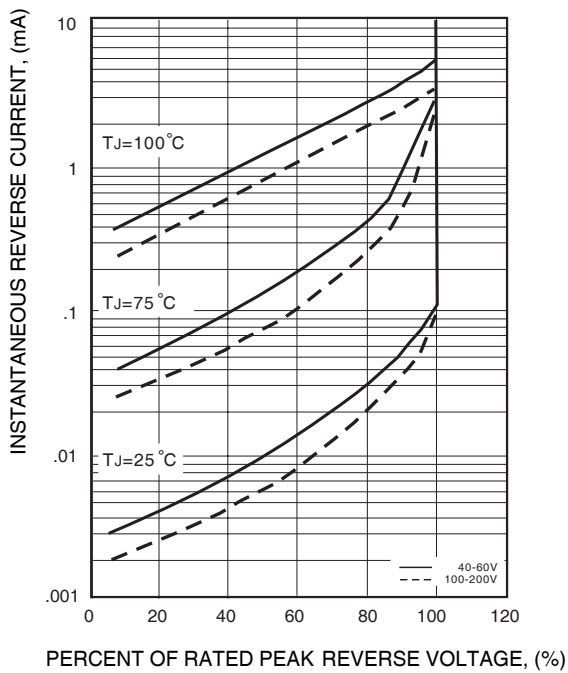


FIG. 4 - TYPICAL INSTANTANEOUS FORWARD CHARACTERISTICS

